

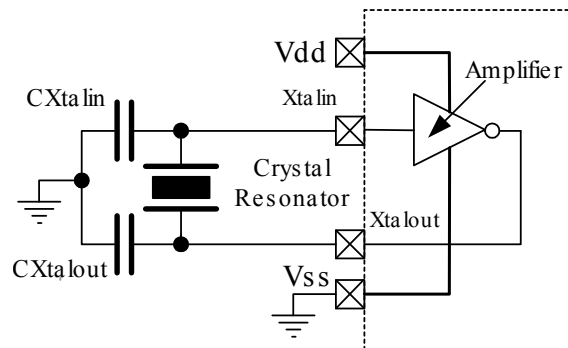
AVR186: Best Practices for the PCB Layout of Oscillators

APPLICATION NOTE

Introduction

The Pierce oscillator (most common case) implemented in microcontrollers is built up around a class A amplifier and a narrow band filter such as a crystal or a ceramic resonator as shown in the below figure.

Figure -1. Typical Crystal/Resonator Oscillator



This device has a high input impedance characteristic outside of the resonance frequency range and has a low input impedance characteristic at the oscillation frequency.

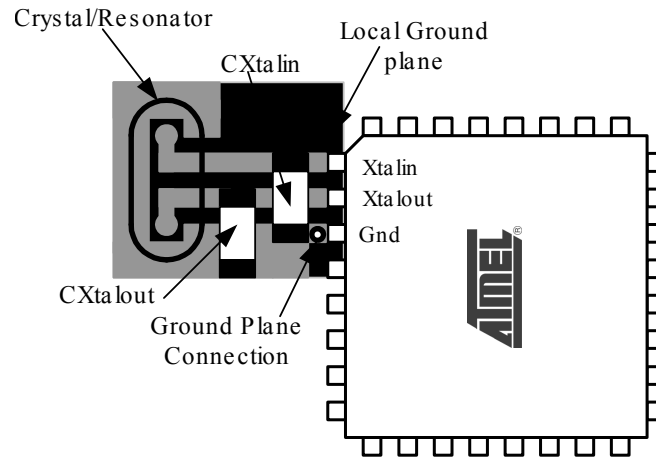
The high impedance characteristic degrades its immunity when an electrical field is applied in its vicinity.

Furthermore, in the latest technology and also in order to reduce the consumption, the oscillation level is restricted to within the range of 1V, again increasing the susceptibility.

1. Description

In order to increase the robustness of this device against external disturbances, the design of the PCB layout has to be done very carefully. An example is shown in the below figure.

Figure 1-1. Example of PCB Layout



2. Design Guides

The following guidelines to design the layout are highly recommended in order not to risk failure and unstable oscillator operation.

- The crystal and ceramic resonator oscillator is sensitive to stray capacitance and noise from other signals. It should be placed away from high frequency devices and traces in order to reduce the capacitive coupling between XTAL pins and PCB traces.
- Keep other digital signal lines, especially clock lines and frequently switching signal lines, as far away from the crystal connections as possible. Crosstalk from the digital activities may disturb the small-amplitude sine-shaped oscillator signal.
- The ground connection for the load capacitors should be short and avoid the return currents from USB, RS232, LIN, PWM,... and power lines
- Load capacitors should be low leakage and stable across temperature (NPO or COG type)
- The load capacitors should be placed close to each other
- The load XTAL_{IN} capacitor should be placed first and closest to the XTAL_{IN} pin and ground
- Parasitic capacitance will reduce gain margin. Keep this to an absolute minimum. For example typically:
 - XTAL_{IN} to ground: 1pF
 - XTAL_{OUT} to ground: 2pF
 - XTAL_{IN} to XTAL_{OUT}: 0.5pFThese values are slightly package dependent.
- Reduce the parasitic capacitance between XTAL_{IN} and XTAL_{OUT} pins by routing them as far apart as possible
- A ground area should be placed under the crystal oscillator area. This ground land should be connected to the oscillator ground.
- Connect the external capacitors needed for the crystal and the ceramic resonator operation as well as the crystal housing to the ground plane
- In case there is only one PCB layer, it is recommended to place a guard ring around the oscillator components and to connect it to the oscillator ground pin

3. Revision History

Doc Rev.	Date	Comments
8128B	09/2016	New template and some minor changes
8128A	03/2008	Initial document release

Atmel®, Atmel logo and combinations thereof, Enabling Unlimited Possibilities®, and others are registered trademarks or trademarks of Atmel Corporation in U.S. and other countries. Other terms and product names may be trademarks of others.

DISCLAIMER: The information in this document is provided in connection with Atmel products. No license, express or implied, by estoppel or otherwise, to any intellectual property right is granted by this document or in connection with the sale of Atmel products. EXCEPT AS SET FORTH IN THE ATMEL TERMS AND CONDITIONS OF SALES LOCATED ON THE ATMEL WEBSITE, ATMEL ASSUMES NO LIABILITY WHATSOEVER AND DISCLAIMS ANY EXPRESS, IMPLIED OR STATUTORY WARRANTY RELATING TO ITS PRODUCTS INCLUDING, BUT NOT LIMITED TO, THE IMPLIED WARRANTY OF MERCHANTABILITY, FITNESS FOR A PARTICULAR PURPOSE, OR NON-INFRINGEMENT. IN NO EVENT SHALL ATMEL BE LIABLE FOR ANY DIRECT, INDIRECT, CONSEQUENTIAL, PUNITIVE, SPECIAL OR INCIDENTAL DAMAGES (INCLUDING, WITHOUT LIMITATION, DAMAGES FOR LOSS AND PROFITS, BUSINESS INTERRUPTION, OR LOSS OF INFORMATION) ARISING OUT OF THE USE OR INABILITY TO USE THIS DOCUMENT, EVEN IF ATMEL HAS BEEN ADVISED OF THE POSSIBILITY OF SUCH DAMAGES. Atmel makes no representations or warranties with respect to the accuracy or completeness of the contents of this document and reserves the right to make changes to specifications and products descriptions at any time without notice. Atmel does not make any commitment to update the information contained herein. Unless specifically provided otherwise, Atmel products are not suitable for, and shall not be used in, automotive applications. Atmel products are not intended, authorized, or warranted for use as components in applications intended to support or sustain life.

SAFETY-CRITICAL, MILITARY, AND AUTOMOTIVE APPLICATIONS DISCLAIMER: Atmel products are not designed for and will not be used in connection with any applications where the failure of such products would reasonably be expected to result in significant personal injury or death ("Safety-Critical Applications") without an Atmel officer's specific written consent. Safety-Critical Applications include, without limitation, life support devices and systems, equipment or systems for the operation of nuclear facilities and weapons systems. Atmel products are not designed nor intended for use in military or aerospace applications or environments unless specifically designated by Atmel as military-grade. Atmel products are not designed nor intended for use in automotive applications unless specifically designated by Atmel as automotive-grade.