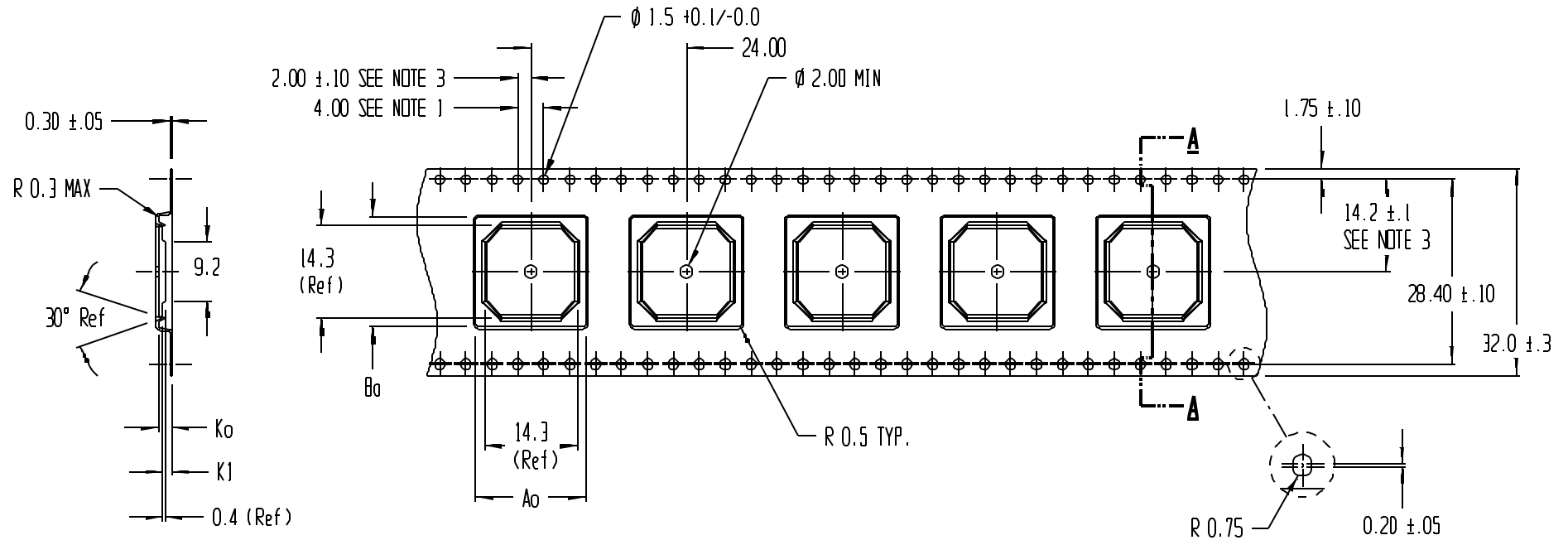


REVISIONS			
REV	DESCRIPTION	DATE	APPROVED
1	Drawing format change	3/22/03	BVB



SECTION A - A

U.S. PATENT 5152393

Ao = 17.00
Bo = 17.00
Ko = 2.10
K1 = 1.40

NOTES:

1. 10 SPROCKET HOLE PITCH CUMULATIVE TOLERANCE ±0.2
2. CAMBER IN COMPLIANCE WITH EIA 481
3. POCKET POSITION RELATIVE TO SPROCKET HOLE MEASURED AS TRUE POSITION OF POCKET, NOT POCKET HOLE

ADVANTEK			
TITLE ADVANTEK PART DRAWING NUMBER Q14X14-R CARRIER TAPE			
TOLERANCES - UNLESS NOTED 1PL ±.2 2PL ±.10		MATERIAL PS+C	
		ALL DIMENSIONS IN MILLIMETERS	DWG SIZE B
DRAWN BY RJB/BVB	DATE 10/12/98	SCALE 3:2	SHEET 1 OF 1
REFERENCE NO. T-7984	DWG NO. 1101793AT		REV 1