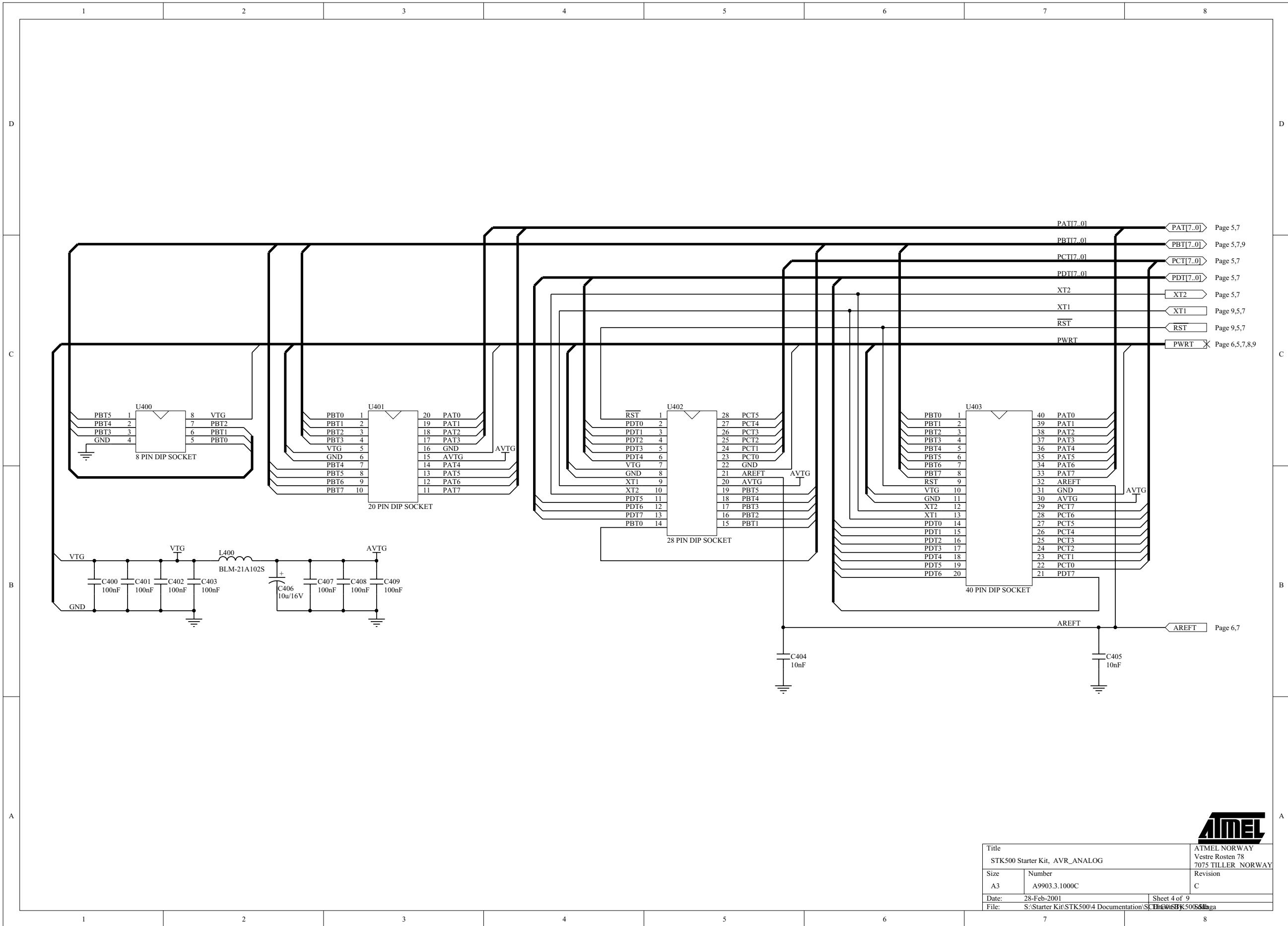


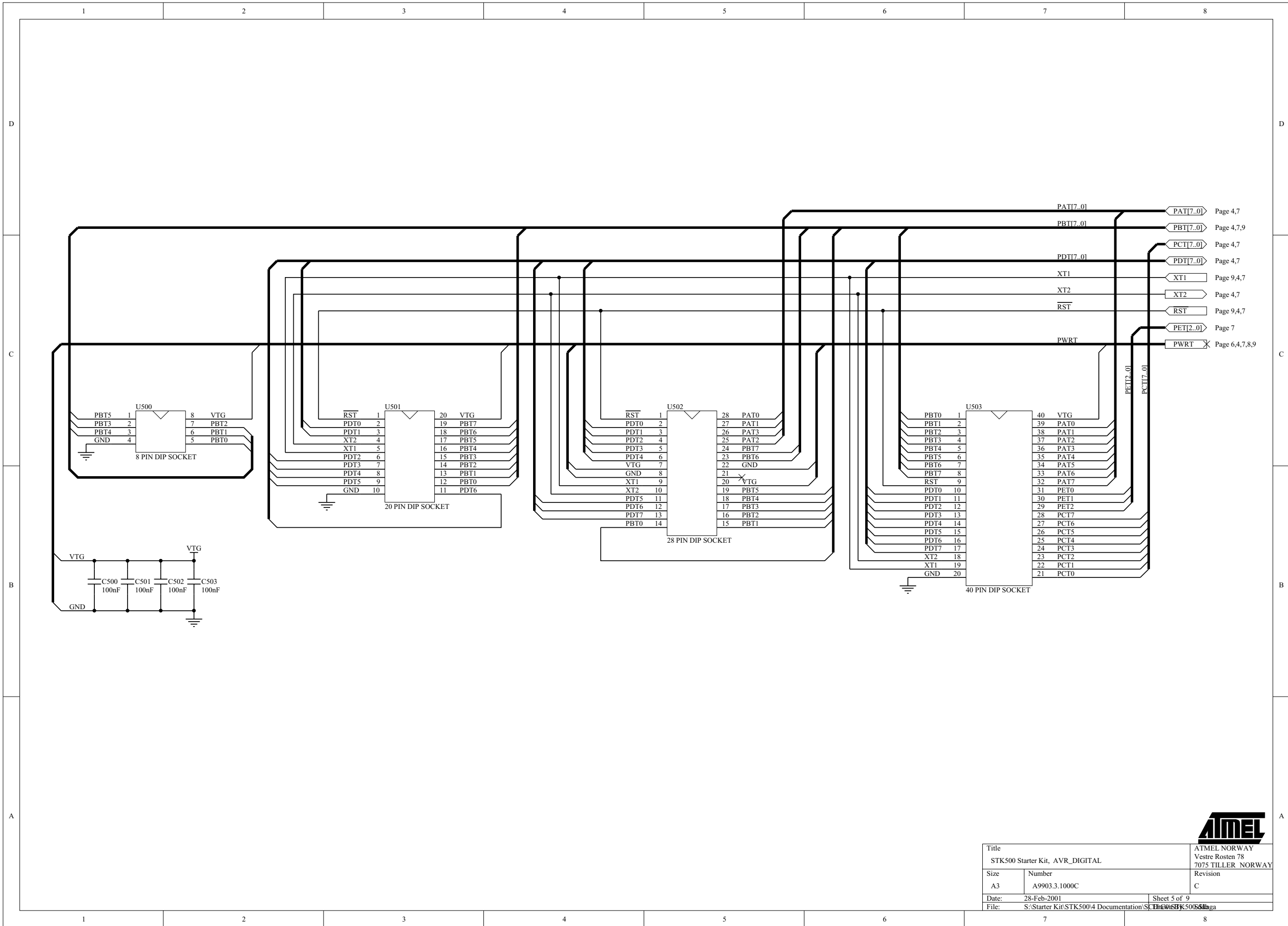
Title		ATMEL NORWAY
STK500 Starter Kit		Vestre Rosten 78
Size		7075 TILLER, NORWAY
A3	Number	Revision
	A9903.3.1000C	C
Date:	28-Feb-2001	Sheet 1 of 9
File:	S:\Starter Kit\STK500\4 Documentation\SCHEM\STK500\4\4.dwg	



- PAT[7..0] Page 5.7
- PBT[7..0] Page 5.7,9
- PCT[7..0] Page 5.7
- PDT[7..0] Page 5.7
- XT2 Page 5.7
- XT1 Page 9,5,7
- RST Page 9,5,7
- PWRT Page 6,5,7,8,9



Title		ATMEL NORWAY
STK500 Starter Kit, AVR_ANALOG		Vestre Rosten 78
Size		7075 TILLER, NORWAY
A3	Number	Revision
	A9903.3.1000C	C
Date:	28-Feb-2001	Sheet 4 of 9
File:	S:\Starter Kit\STK500\4 Documentation\SCHEM\STK500\4\4.dwg	

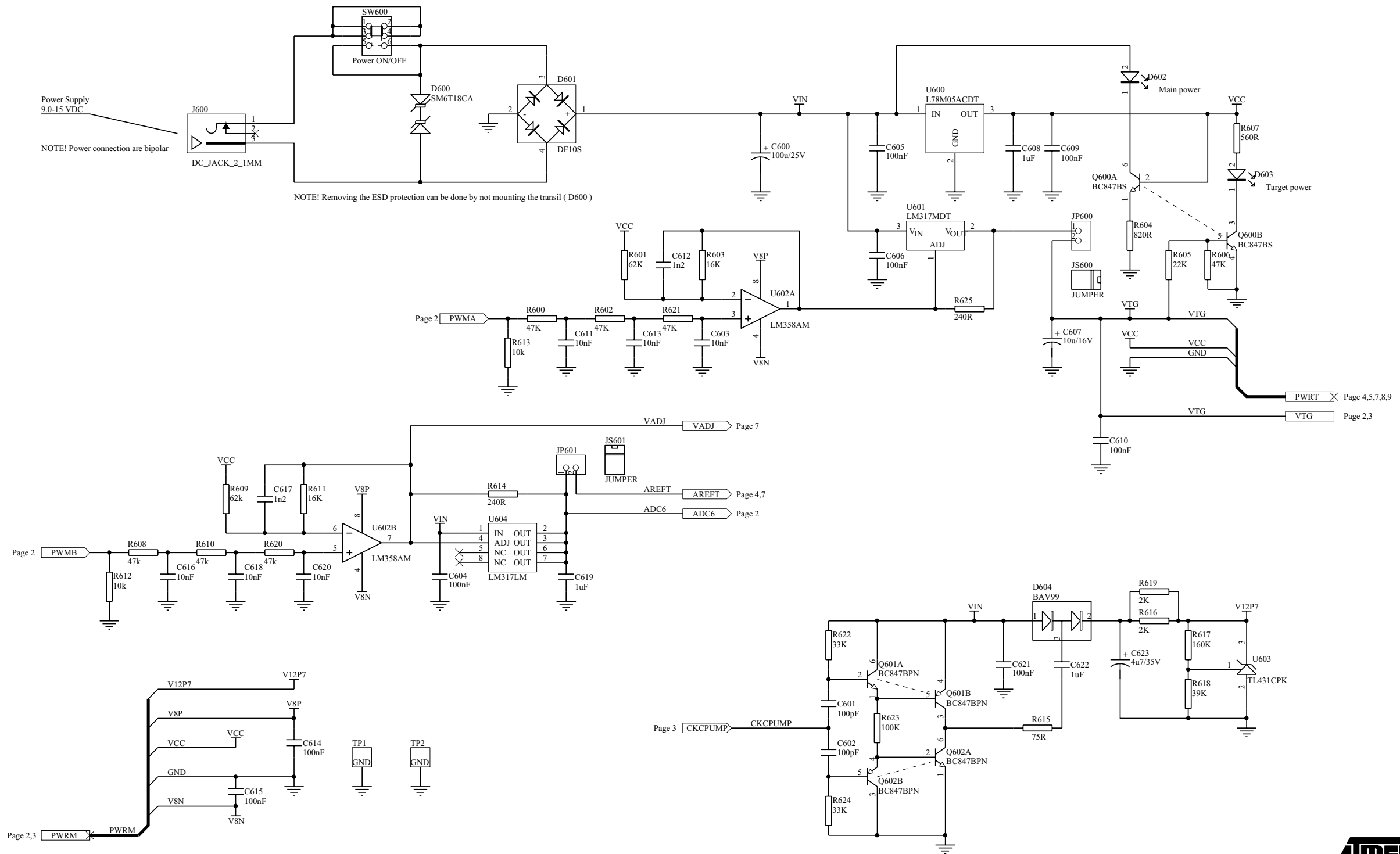


Title STK500 Starter Kit, AVR_DIGITAL		ATMEL NORWAY Vestre Rosten 78 7075 TILLER, NORWAY
Size A3	Number A9903.3.1000C	Revision C
Date: 28-Feb-2001	Sheet 5 of 9	
File: S:\Starter Kit\STK500\4 Documentation\SCHEM\STK500\503.dwg		

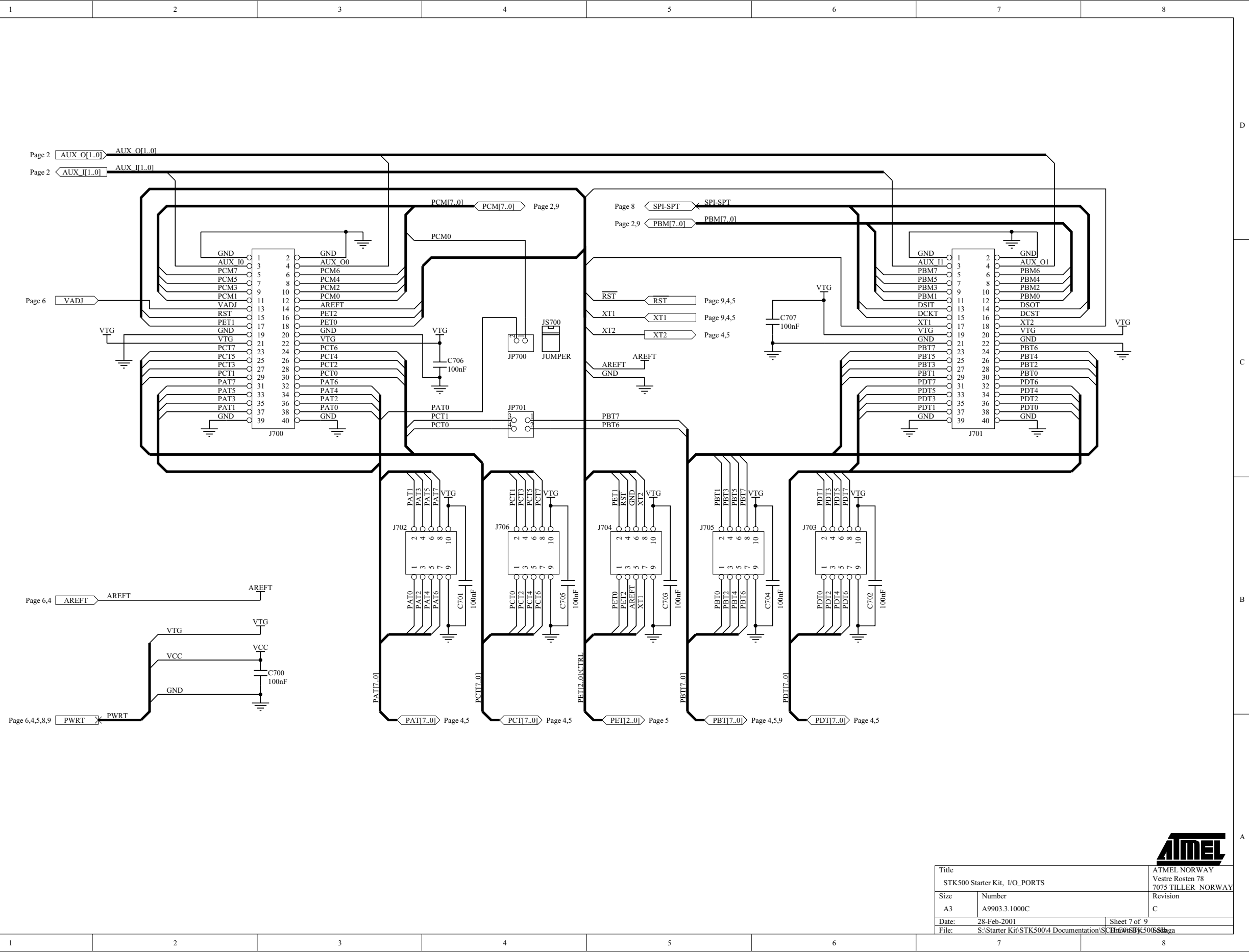
Power Supply  
9.0-15 VDC

NOTE! Power connection are bipolar

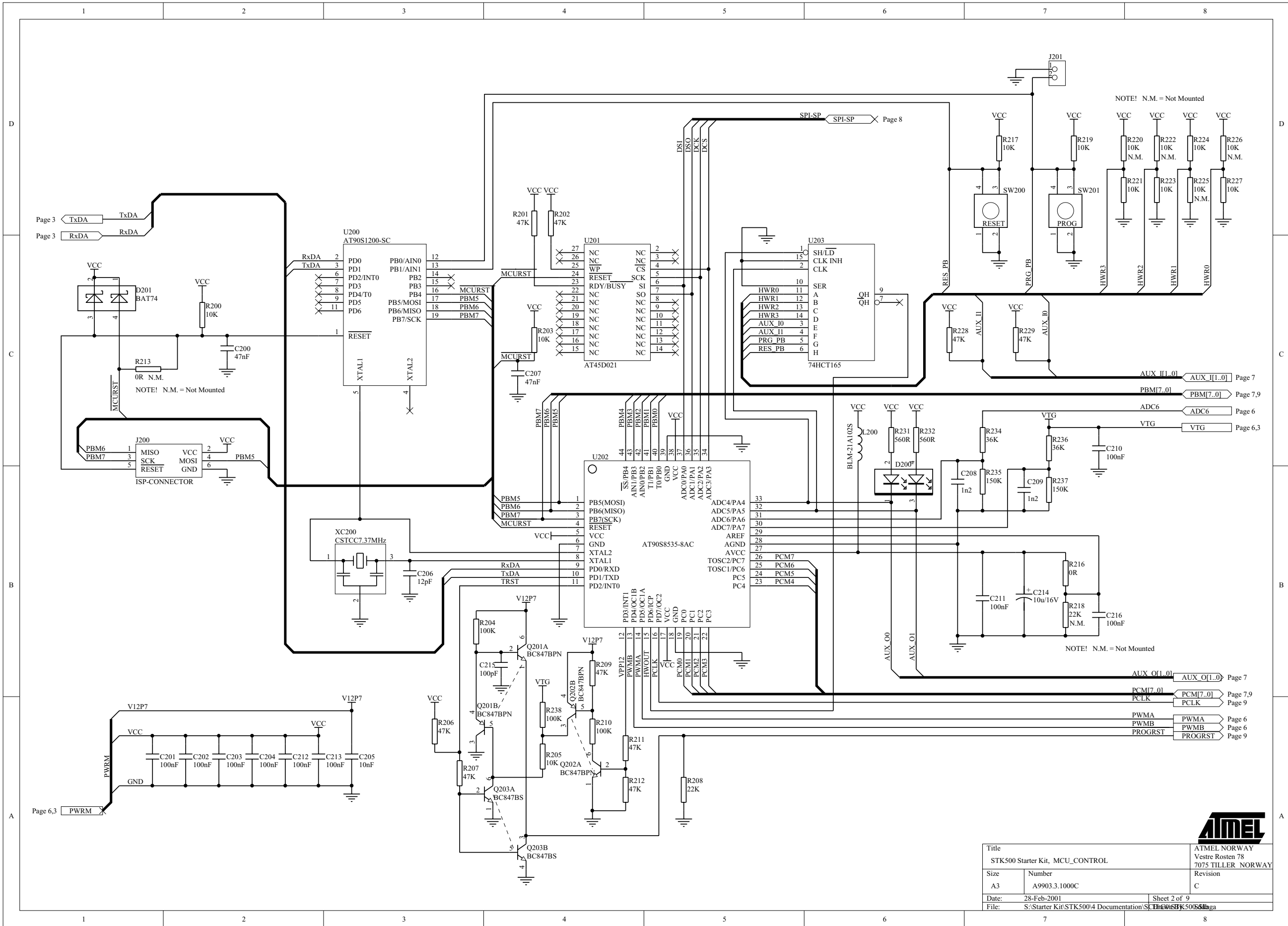
NOTE! Removing the ESD protection can be done by not mounting the transistor ( D600 )



Title		ATMEL NORWAY
STK500 Starter Kit, POWER		Vestre Rosten 78
Size		7075 TILLER, NORWAY
A3	Number	Revision
	A9903.3.1000C	C
Date:	28-Feb-2001	Sheet 6 of 9
File:	S:\Starter Kit\STK500\4 Documentation\SCHEMATIC\STK500\4\4a	



Title		ATMEL NORWAY
STK500 Starter Kit, I/O_PORTS		Vestre Rosten 78
Size		7075 TILLER, NORWAY
A3	Number	Revision
	A9903.3.1000C	C
Date:	28-Feb-2001	Sheet 7 of 9
File:	S:\Starter Kit\STK500\4 Documentation\SCHEMATIC\STK500\4\4.dwg	



NOTE! N.M. = Not Mounted

AUX\_I[1..0] AUX\_I[1..0] Page 7

PBM[7..0] PBM[7..0] Page 7.9

ADC6 ADC6 Page 6

VTG VTG Page 6.3

AUX\_O[1..0] AUX\_O[1..0] Page 7

PCM[7..0] PCM[7..0] Page 7.9

PCLK PCLK Page 9

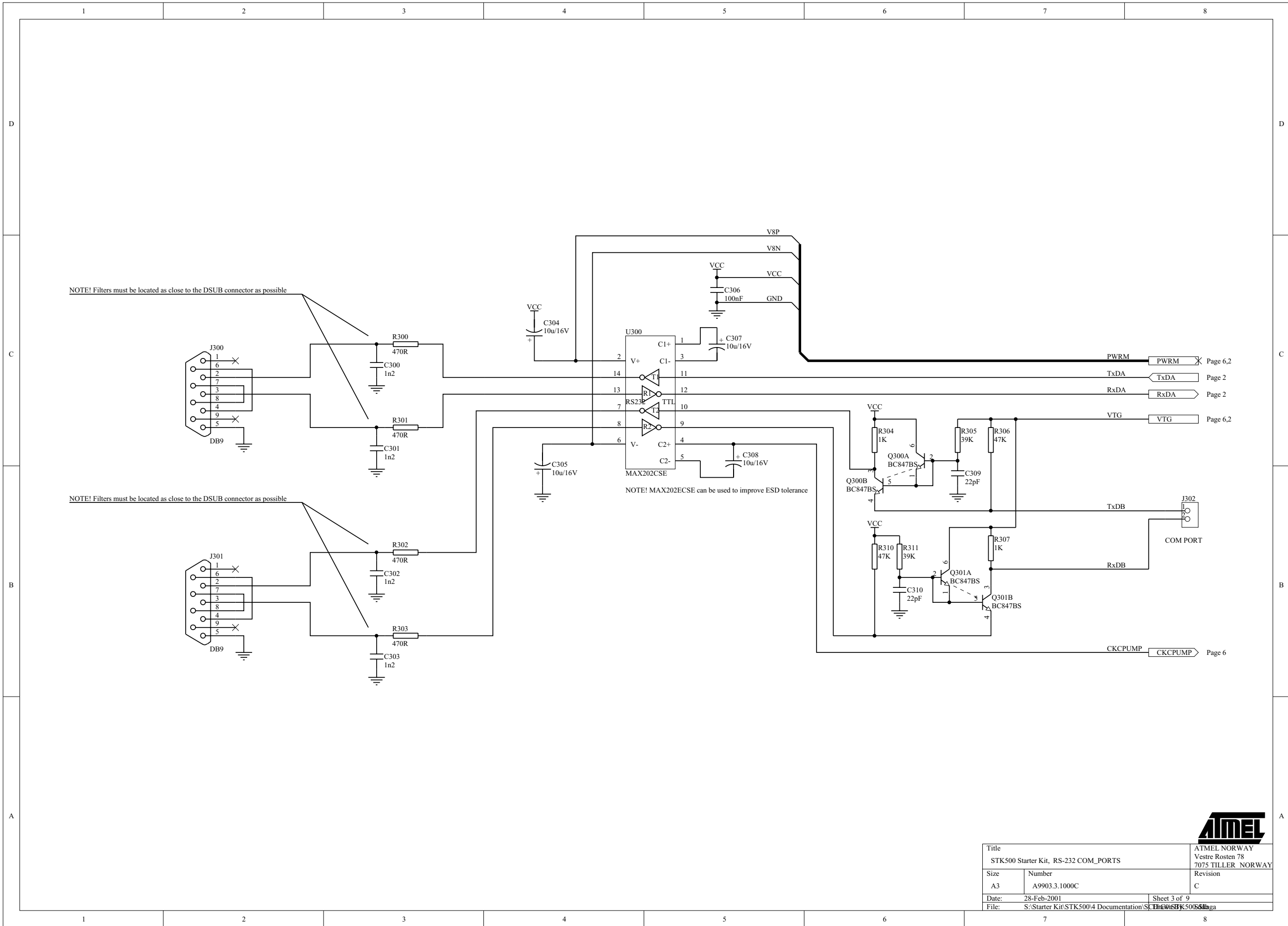
PWMA PWMA Page 6

PWMB PWMB Page 6

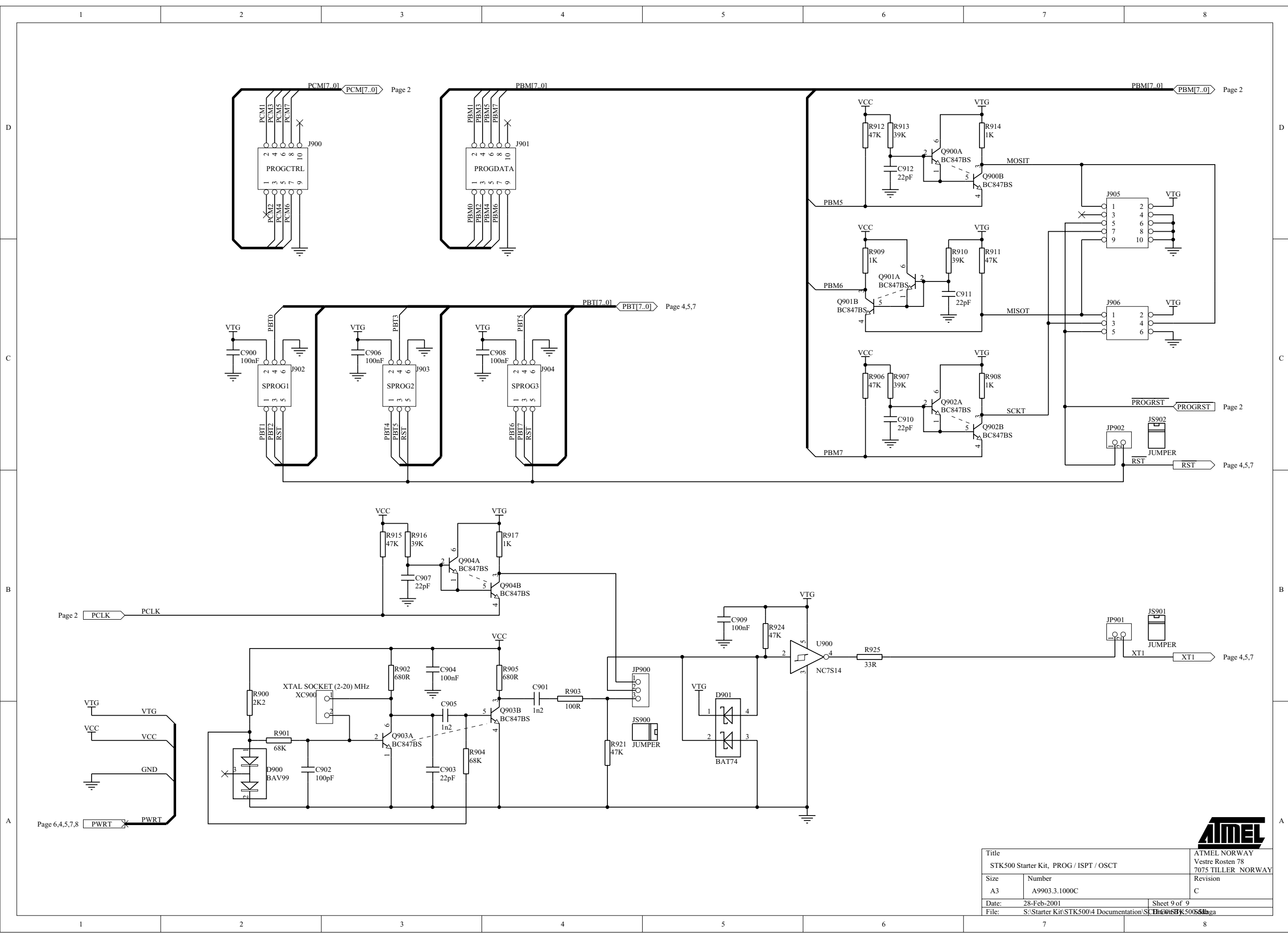
PROGRST PROGRST Page 9



Title		ATMEL NORWAY
STK500 Starter Kit, MCU_CONTROL		Vestre Rosten 78
Size		7075 TILLER NORWAY
A3	Number	Revision
	A9903.3.1000C	C
Date:	28-Feb-2001	Sheet 2 of 9
File:	S:\Starter Kit\STK500\4 Documentation\SCHEM\STK500S4.dwg	



Title		ATMEL NORWAY
STK500 Starter Kit, RS-232 COM_PORTS		Vestre Rosten 78
Size		7075 TILLER, NORWAY
A3	Number	Revision
	A9903.3.1000C	C
Date:	28-Feb-2001	Sheet 3 of 9
File:	S:\Starter Kit\STK500\4 Documentation\SCHEM\STK500\500544.dwg	



Page 2 PCLK PCLK

Page 6,4,5,7,8 PWRT PWRT

Page 4,5,7 XT1 XT1

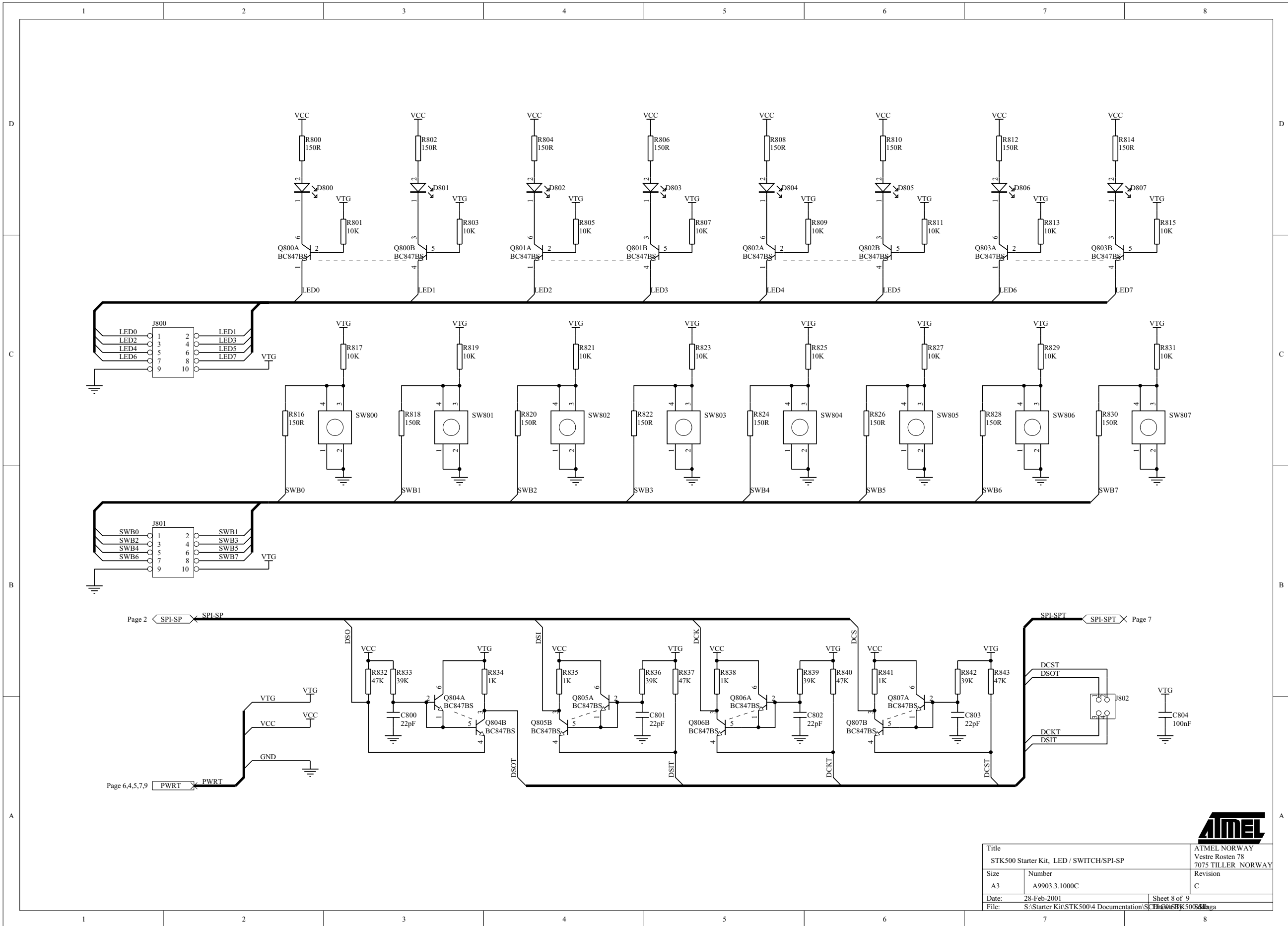
Page 2 PROGRST PROGRST

Page 4,5,7 RST RST



Title		ATMEL NORWAY
STK500 Starter Kit, PROG / ISPT / OSCT		Vestre Rosten 78
Size		7075 TILLER NORWAY
A3	Number	Revision
	A9903.3.1000C	C
Date:	28-Feb-2001	Sheet 9 of 9
File:	S:\Starter Kit\STK500\4 Documentation\SCHEM\STK500\85C50	





Page 2 SPL-SP SPL-SP

SPL-SPT SPL-SPT Page 7

Page 6,4,5,7,9 PWRT PWRT



Title		ATMEL NORWAY
STK500 Starter Kit, LED / SWITCH/SPI-SP		Vestre Rosten 78
Size		7075 TILLER, NORWAY
A3	Number	Revision
	A9903.3.1000C	C
Date:	28-Feb-2001	Sheet 8 of 9
File:	S:\Starter Kit\STK500\4 Documentation\SCHEM\STK500\4.dwg	